



UFO



68880-P12-CR5

UFO-12 Down Light CR5 1688LM 20W

Like a UFO flying over head U-Tron's UFO Series will leave you both mystified and in awe with the brightness and clarity of the light and the amount of savings received on your energy bill. The UFO Series is ideal for shops, restaurants and offices.

Product Technical Data

General Informaion

Heatsink 6063-T5 aluminum alloy
Life Span 50000hr
Cap Size E40

Product Dimensions

Lamp Diameter 120mm
Lamp Height 158mm

Light Characteristics

Efficacy 83.40 lm/W
Beam Angle 120
CCT 5500K
Flux 1688lm
Color Rendering Index 85

Ordering Information

Product Number A-68880-P12-CR5
Product Name UFO-12 Down Light (E40)
Product Ordering Name UFO12 Down Light 1688lm 20W CR5

Electrical Characteristics

Wattage 20W
Voltage universal
Power Factor 0.937

Pieces Per Pack 1
Packs Per Carton 2
Net Weight Per Piece 1.5 Kg

Temperature

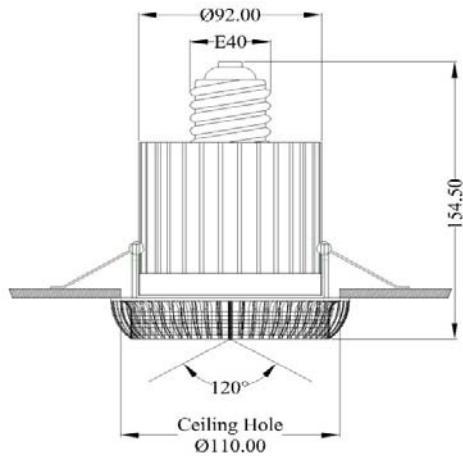
Operating Temp. -40(min), 45(max)C
Storage -40(min), 45(max)C

www.u-tron.com



UFO Down Light

Technical Drawing



©2012 U-Tron (Beijing) Electronics Co., LTD

All rights reserved

Specifications are subject to change without notice

15-Feb-12

data subject to change

www.u-tron.com

